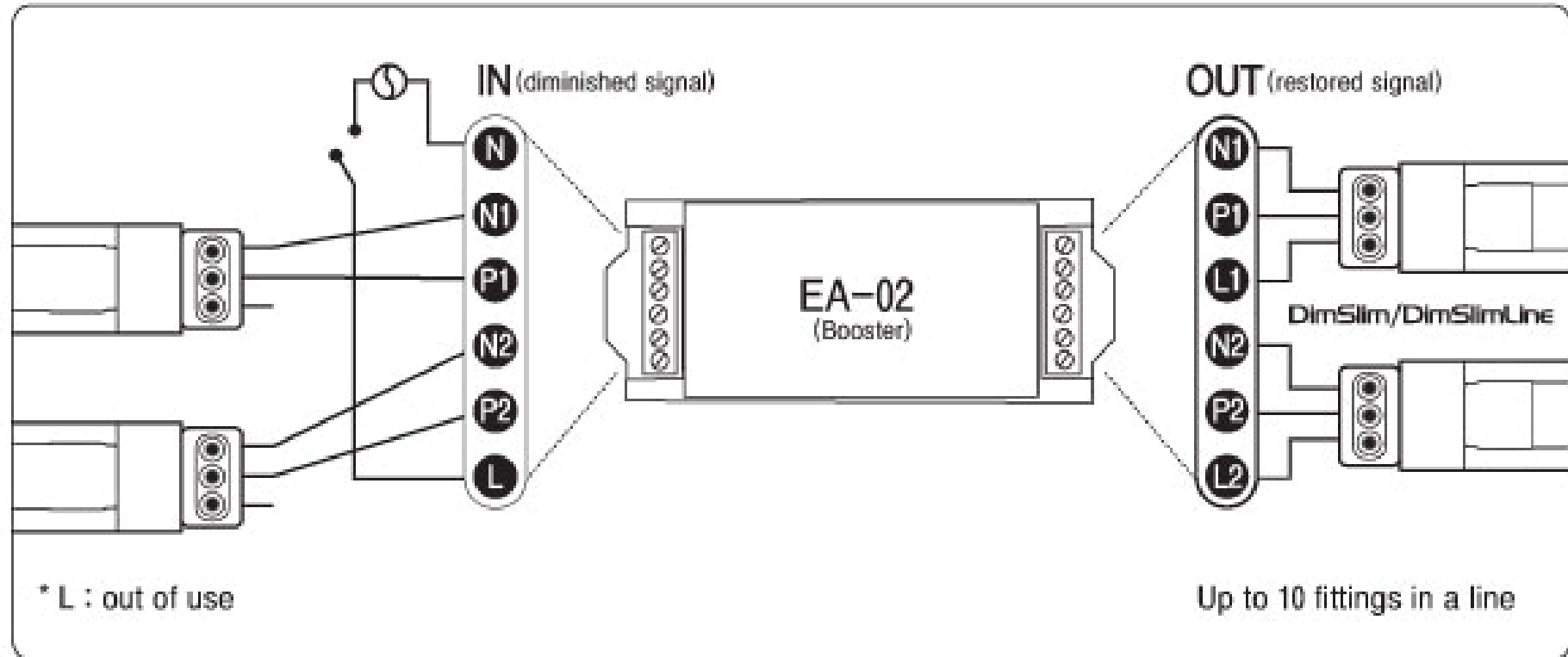


Wiring Diagram



Wiring Method

1. Applicable electric wires : AWG 24-14(0.2-2.08mm²)
2. Stripped Length : 4-5mm
3. Use electric wires after making it stright.
4. Push electric wires to the tip of hole.
5. Connect L/N/P cables as specified. (L-brown, N-blue, P-black)

